



Acme Sanitary Ware Co Ltd

Acme Building, 22-28 Nanking Street, Kowloon, Hong Kong
 Tel: 2388 7171 Fax: 2710 8012
 E-mail: acme@acmesanitary.com.hk
 Website: www.acmesanitaryware.com.hk

PROJECT		REF		REV	ITEM CODE	
LOCATION		DATE			PAGE	

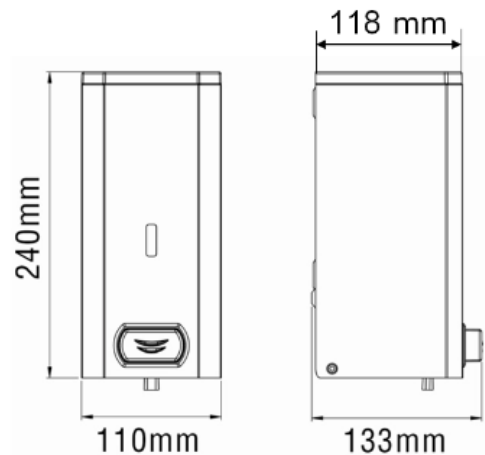
SANITARY WARE SPECIFICATION SHEET

Item Descriptions	Mediclinics (Spain) stainless steel AISI 304 wall-mounted push-button liquid soap dispenser in matte black epoxy finish
Dimensions	L110 x W133 x H240 mm
Model	DJ0031B
Material/ Finish	Stainless Steel / Matte Black Epoxy Finish
Manufacturer	Mediclinics, S.A. (Spain)
Supplier	Acme Sanitary Ware Co. Ltd Mr. Eric Wong/ Mr. Don Yuen
Contact Tel/Fax	(852) 2388-7171 / (852) 2710-8012
E-mail	acme@acmesanitary.com.hk
Website	www.acmesanitary.com.hk

Illustration/ Drawing



<p>General Description</p> <ul style="list-style-type: none"> Liquid soap dispenser of 1.5 L capacity, manufactured in stainless steel AISI 304, 0.8 mm thick, to be installed directly on the wall and hand-operated by means of a push-button. Available in three finishes (white, bright and satin) these soap dispenser models have a functional, robust and trendy design that matches the new range of Mediclinics bathroom accessories. This allows this soap dispenser to blend into any space perfectly. Suitable for high traffic facilities and for public use. Dispenses liquid soaps or hydro-alcoholic gel. Surgical soaps and soaps with solid abrasive particles are not supported. <p>Components & materials</p> <ul style="list-style-type: none"> DJ0031: Stainless steel AISI 304, white epoxy finish. DJ0031C: Stainless steel AISI 304, bright finish. DJ0031CS: Stainless steel AISI304, satin finish. DJ0031B: Stainless steel AISI 304, black epoxy finish. Level display in the front part that constantly indicates the level of soap available inside the soap dispenser. Inner plastic tank that prevents oxidation and that can be easily removed for cleaning and disinfection purposes. Push-button made in stainless steel. Anti-drip corrosion resistant valve that dispenses 1.5 ml of soap per service. This anti-drip valve, which dispenses liquid soap, is easily interchangeable with the valves of the other soap dispensers of the same line. Hinged cover for operator convenience and speed of service. Opening on top with provided Mediclinics key that allows soap refill. It is mounted on the wall by means of four Ø4 stainless steel screws (provided) with their corresponding Ø 6mm plastic plugs (also provided). It is recommended to use liquid soaps or disinfectant gel soaps (maximum of alcohol content of 85 %) with a density between 0.9 and 1.35 kg/dm³ and a maximum viscosity of 3,000 cps. <p>Operation</p> <p>Place one hand just under the soap dispenser valve and press the center push-button until the end of the soap dosage.</p> <p>Mounting Template</p> <p>10-15cm from shelf.</p>	<p>DJ0031 White epoxy finish</p>
	<p>DJ0031B Black epoxy finish</p>
	<p>DJ0031C Bright finish</p>
	<p>DJ0031CS Satin finish</p>
	<p>Refillable tank</p>



Technical Specifications

Dimensions	240 x 110 x 133 mm
Capacity	1.500 ml
Body, cover & base plate thickness	0.8 mm
Inner Tank Thickness	2.5 mm
Net weight	1.25 Kg
Quantity dispensed per pump	1.5 ml

Note:

* All information of the above is for the reference only. No prior notice is made if any changes.